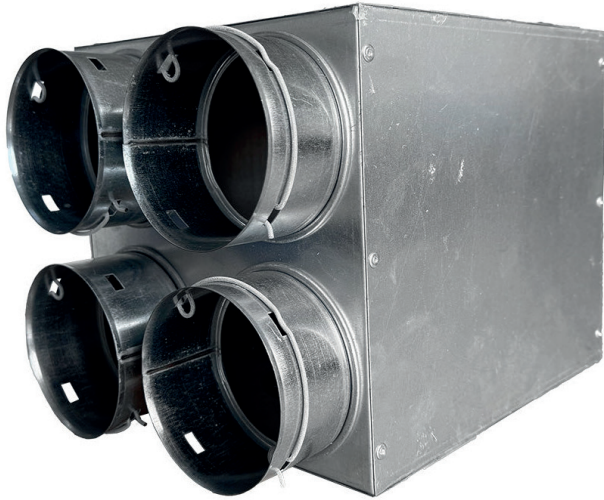


# PRODUCT DATASHEET

## QV75-04125MRE

Quiet-Vent 4pt 75mm Adjustable Rear Entry Distribution Box  
125mm Spigot



### Technical Specification

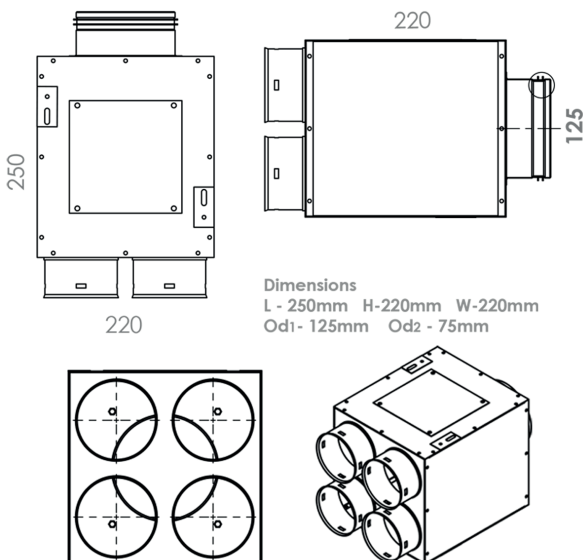
Manufacturer	Quiet-Vent
Part Number	QV75-04125MRE
Type	Manifold / Distribution Box
Spigot Size	125mm
Connection	4 x 75mm
Material	Galvanised Steel
Application	Supply / Extract

### Product Overview

The Quiet-Vent 75mm 4 Point Adjustable Rear Entry Distribution Box is designed to provide efficient airflow distribution within 75mm radial ducting systems, allowing air to be directed to up to 4 individual duct runs. Suitable for use in MVHR and mechanical ventilation systems, it supports reliable airflow control across compact residential ventilation layouts.

Its adjustable rear entry design offers installation flexibility, making it suitable for ceiling or floor mounting where duct routing may be limited. Supplied with 1 blanking cap, unused ports can be sealed to help maintain system performance. The unit requires compatible sealing rings to achieve secure, airtight connections, and its compact L250mm x W220mm x H220mm dimensions make it ideal for confined service voids and tight installation spaces.

### Dimensions



### Flow Rate

