

PRODUCT DATASHEET

QV75-04125MTE

Quiet-Vent 4pt 75mm Adjustable Top Entry Distribution Box - 125mm Spigot



Technical Specification

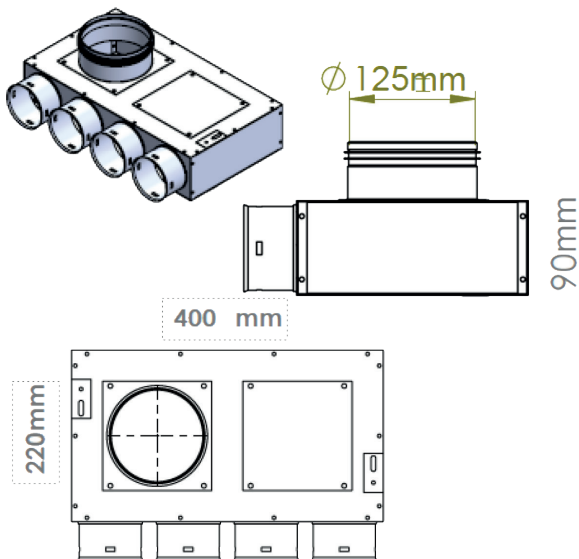
Manufacturer	Quiet-Vent
Part Number	QV75-04125MTE
Type	Manifold / Distribution Box
Spigot Size	125mm
Connection	4 x 75mm
Material	Galvanised Steel
Application	Supply / Extract

Product Overview

The Quiet-Vent 75mm 4 Point Adjustable Top Entry Distribution Box is designed to provide efficient airflow distribution from a 125mm spigot connection to up to 4 individual 75mm radial duct runs. Suitable for use within MVHR and mechanical ventilation systems, it supports flexible and reliable airflow control across compact residential ventilation layouts.

Its adjustable top entry design offers installation flexibility, making it suitable for ceiling or floor mounting where duct routing or service void space may be limited. Supplied with a blanking cap, unused outlets can be sealed to help maintain system efficiency and airflow balance. The unit requires compatible sealing rings to achieve secure, airtight connections, while its low-profile H90mm x L400mm x W220mm dimensions make it ideal for installations where height clearance is restricted.

Dimensions



Flow Rate

