



Quiet-Vent
Home of Ventilation

PRODUCT DATASHEET

QV75-PRO-PF-CON

Quiet-Vent 75mm Pro Radial Pipe Connector



Technical Specification

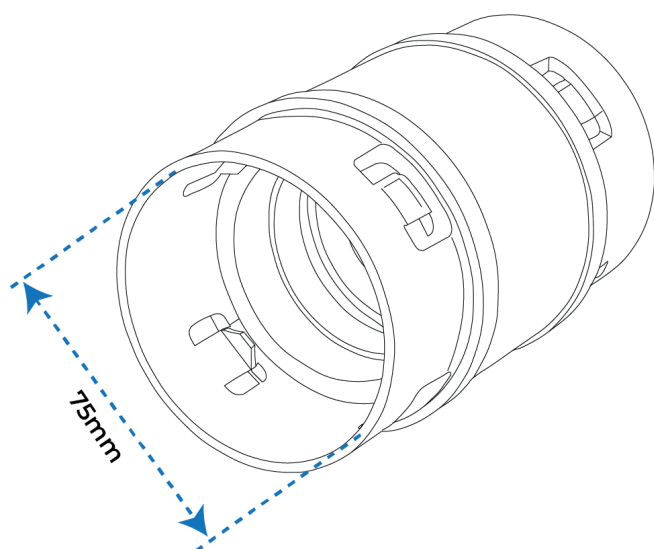
Manufacturer	Quiet-Vent
Part Number	QV75-PRO-PF-CON
Type	Connector
Connection	75mm
Application	Connections

Product Overview

The Quiet-Vent Pro 75mm Duct Connector is designed to provide a quick and secure connection between two sections of 75mm radial ducting within MVHR and mechanical ventilation systems. It is ideal for extending a single duct run or making use of remaining duct lengths, helping to reduce waste while maintaining a reliable connection across the ventilation layout.

Built with CLICK system couplers, the connector includes integrated gaskets and snap-fit fixing points to ensure a tight and secure duct attachment. This design allows two duct sections to be joined without the need for additional gaskets, clips, or tape, helping to simplify installation while supporting airtightness and consistent system performance.

Dimensions



Related Products



QV75P-HP
Quiet-Vent 75mm x 50 Metre Antibacterial
Radial Pipe