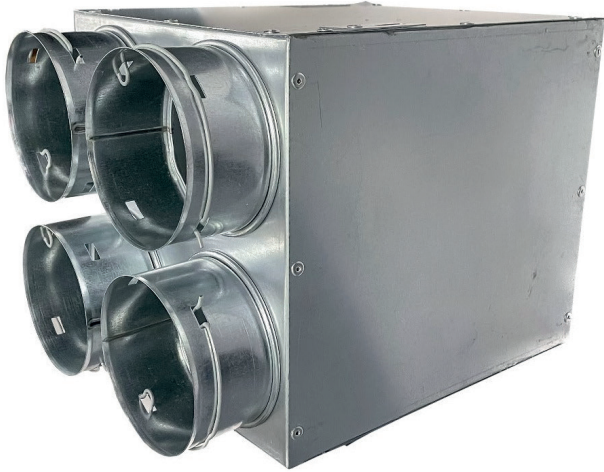


# PRODUCT DATASHEET

## QV90-04125MRE

Quiet-Vent 4pt 90mm Adjustable Rear Entry Distribution Box - 125mm Spigot



### Technical Specification

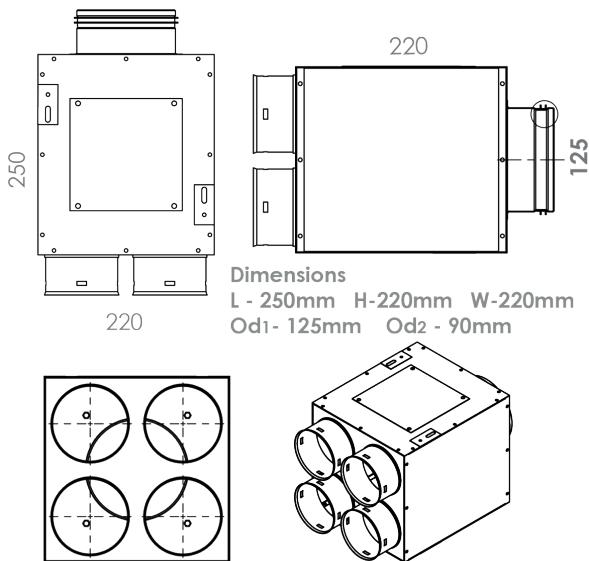
Manufacturer	Quiet-Vent
Part Number	QV90-04125MRE
Type	Manifold / Distribution Box
Spigot Size	125mm
Connection	4 x 90mm
Material	Galvanised Steel
Application	Supply / Extract

### Product Overview

The Quiet-Vent 90mm 4 Point Adjustable Rear Entry Distribution Box is designed to provide efficient airflow distribution from a 125mm spigot connection to up to 4 individual 90mm radial duct runs. Suitable for use within MVHR and mechanical ventilation systems, it supports flexible and reliable airflow control across compact residential ventilation layouts.

Its adjustable rear entry design offers added installation flexibility, making it suitable for ceiling or floor mounting where duct routing may vary. Supplied with 1 blanking cap, unused outlets can be sealed to help maintain system efficiency and airflow balance. The unit requires compatible sealing rings to achieve secure, airtight connections, while its compact L250mm x W220mm x H220mm dimensions make it ideal for confined service voids and tight installation spaces.

### Dimensions



### Flow Rate

