

PRODUCT DATASHEET

QV90-10180RE

Quiet-Vent 10pt 90mm Rear Entry Distribution Box - 180mm Spigot



Technical Specification

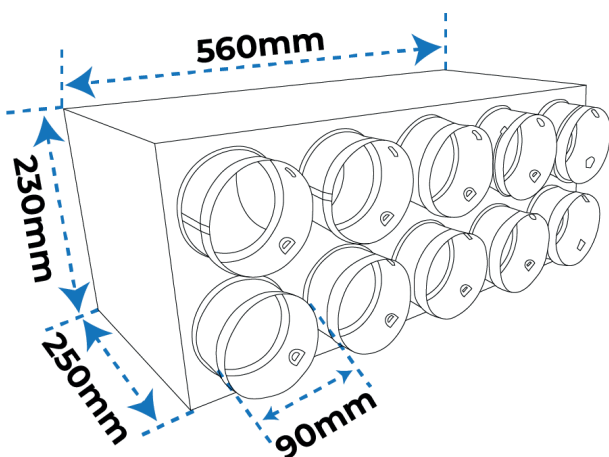
| | |
|--------------|-----------------------------|
| Manufacturer | Quiet-Vent |
| Part Number | QV90-10180RE |
| Type | Manifold / Distribution Box |
| Spigot Size | 180mm |
| Connection | 10 x 90mm |
| Material | Galvanised Steel |
| Application | Supply / Extract |

Product Overview

The Quiet-Vent 90mm 10 Point Rear Entry Distribution Box is designed to provide efficient airflow distribution from a 180mm spigot connection to up to 10 individual 90mm radial duct runs. Suitable for use within MVHR and mechanical ventilation systems, it supports balanced airflow across larger residential ventilation layouts where multiple room connections are required.

Its rear entry design allows for streamlined duct routing, making it suitable for installation in ceilings, floors, and service voids where space may be limited. Supplied with 3 blanking caps, unused outlets can be sealed to help maintain system efficiency and airtight performance. The unit requires compatible sealing rings to achieve secure, airtight connections, while its L560mm x W250mm x H230mm dimensions make it ideal for larger installations using Quiet-Vent 90mm radial ducting.

Dimensions



Related Products



QV90P-HP
Quiet-Vent 90mm x 50 Metre Antibacterial
Radial Pipe