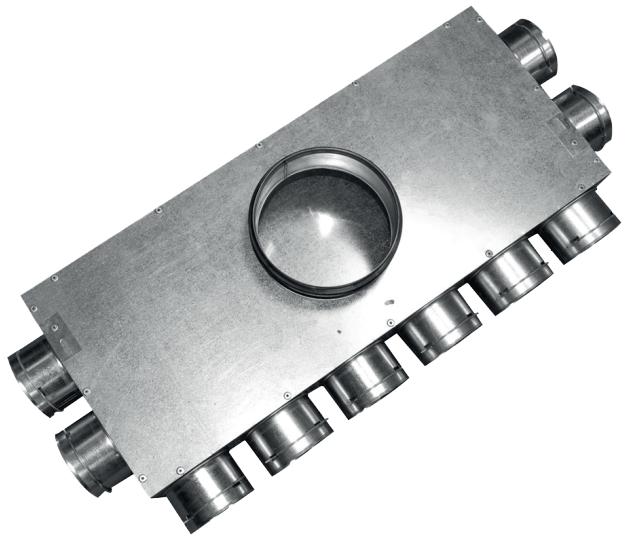


PRODUCT DATASHEET

QV90-10180TE

Quiet-Vent 10pt 90mm Top Entry Distribution Box - 180mm Spigot



Technical Specification

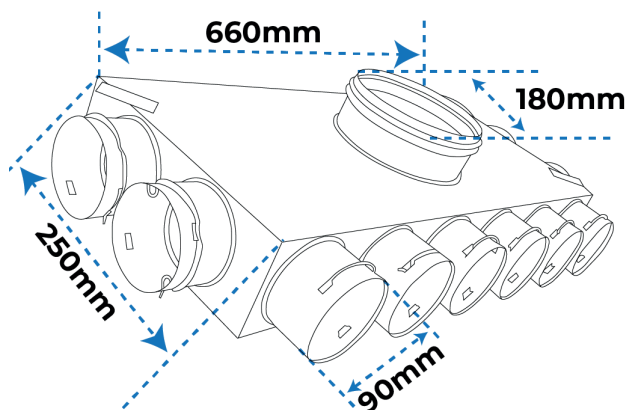
Manufacturer	Quiet-Vent
Part Number	QV90-10180TE
Type	Manifold / Distribution Box
Spigot Size	180mm
Connection	10 x 90mm
Material	Galvanised Steel
Application	Supply / Extract

Product Overview

The Quiet-Vent 90mm 10 Point Top Entry Distribution Box is designed to provide efficient airflow distribution from a 180mm spigot connection to up to 10 individual 90mm radial duct runs. Suitable for use within MVHR and mechanical ventilation systems, it supports balanced airflow across larger or more complex residential ventilation layouts where multiple duct connections are required.

Its top entry design makes it suitable for ceiling or floor installation, offering flexibility where duct routing or service void space may be limited. Supplied with 3 blanking caps, unused outlets can be sealed to help maintain system efficiency and airtight performance. The unit requires compatible sealing rings to achieve secure, airtight connections, while its L660mm x W250mm x H110mm dimensions make it ideal for larger installations using Quiet-Vent 90mm radial ducting.

Dimensions



Related Products



QV90P-HP
Quiet-Vent 90mm x 50 Metre Antibacterial Radial Pipe