



Quiet-Vent
Home of Ventilation

PRODUCT DATASHEET

QV90-PLEN

Quiet-Vent 90mm Plenum



Technical Specification

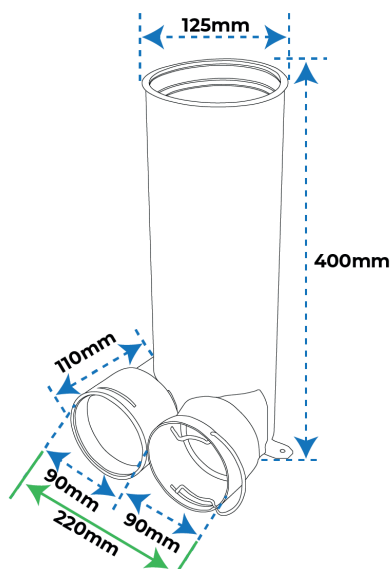
Manufacturer	Quiet-Vent
Part Number	QV90-PLEN
Type	Plenum Connector
Spigot Size	125mm
Connection	2 x 90mm
Material	ABS Plastic
Application	Supply / Extract

Product Overview

The Quiet-Vent 90mm Plenum is designed to provide a secure connection point between 90mm radial ducting and a 125mm air valve within MVHR and mechanical ventilation systems. Manufactured from durable injection-moulded ABS plastic, it offers a strong and cost-effective solution for residential and light commercial ventilation layouts where reliable airflow distribution is required.

Its compact design allows for versatile installation on ceilings or walls, making it suitable for use in service voids, ceiling spaces, and other areas where duct routing needs to be managed efficiently. The plenum is supplied with 2 metal clips, 2 x 90mm blanking caps, 1 x 125mm blanking cap, 2 screw fixing points, and 2 sealing rings, supporting secure pipe connections and flexible installation. With dimensions of L400mm x W220mm x H110mm, it provides a practical solution for 90mm radial ducting systems while helping to maintain airtight connections and consistent ventilation performance.

Dimensions



Related Products



QV90P-HP
Quiet-Vent 90mm x 50 Metre Antibacterial
Radial Pipe