

PRODUCT DATASHEET

QV90-PRO-PF-CON

Quiet-Vent 90mm Pro Radial Pipe Connector



Technical Specification

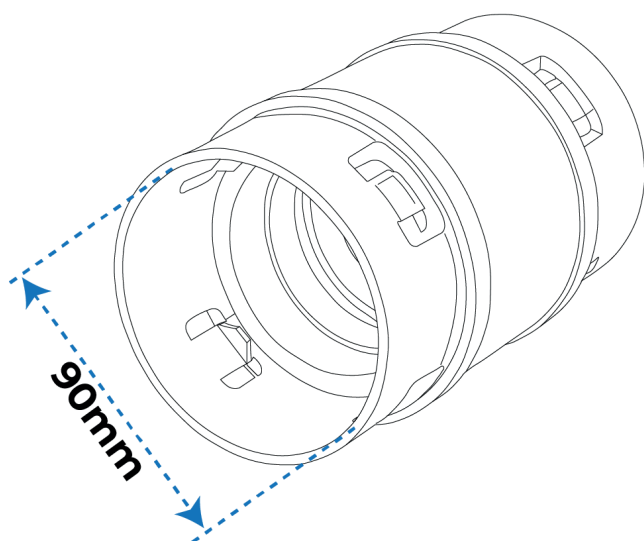
Manufacturer	Quiet-Vent
Part Number	QV90-PRO-PF-CON
Type	Connector
Connection	90mm
Application	Connections

Product Overview

The Quiet-Vent Pro 90mm Duct Connector is designed to provide a quick and secure connection between two sections of 90mm radial ducting within MVHR and mechanical ventilation systems. It is suitable for extending a single duct run or making use of remaining duct lengths, helping to reduce waste while maintaining a reliable and consistent duct connection.

Built with CLICK system couplers, the connector features integrated gaskets and snap-fit fixings to ensure secure duct attachment and airtight performance. This dedicated PRO connector allows two 90mm duct sections to be joined quickly without the need for additional gaskets, clips, or tape, helping to simplify installation while supporting efficient airflow throughout the ventilation system.

Dimensions



Related Products



QV90P-HP
Quiet-Vent 90mm x 50 Metre Antibacterial
Radial Pipe