



Quiet-Vent
Home of Ventilation

PRODUCT DATASHEET

QVCON90F

FS 75mm - STANDARD QUIET-VENT 90 ° BEND



Technical Specification

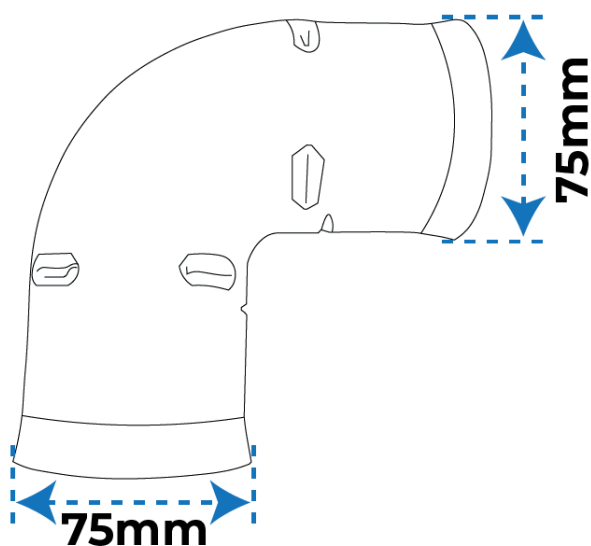
Manufacturer	Quiet-Vent
Part Number	QVCON90F
Type	90° Bend/Elbow
Diameter	75mm Internal
Material	Polymer

Product Overview

The Quiet-Vent 75mm 90° Bend is a high-quality ducting fitting designed for use with the Quiet-Vent semi-rigid radial ducting system. Engineered to create sharp 90-degree turns while maintaining optimal airflow, this universal fitting is compatible with most 75mm radial duct systems, making it ideal for tight spaces and complex duct layouts.

Constructed from durable, impact-resistant materials, this bend ensures long-lasting performance in domestic and commercial ventilation applications. Its simple integration allows for a seamless connection with other ducting components, providing an efficient and reliable ventilation system with minimal airflow loss.

Dimensions



Related Products



QV75P-FS
Quiet-Vent 75mm x 50 Metre Antibacterial
Radial Pipe