



Quiet-Vent
Home of Ventilation

PRODUCT DATASHEET

QVRC9080

Quiet-Vent Rubber 90mm to 80mm Flexible Circular Duct Connector



Technical Specification

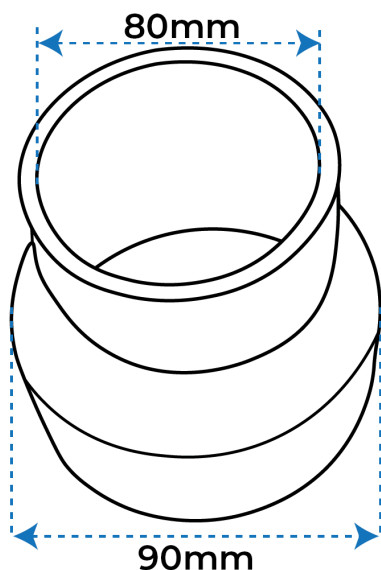
Manufacturer	Quiet-Vent
Part Number	QVRC09080
Type	Connector
Connection	90mm to 80mm
Application	Ducting Connector

Product Overview

The Quiet-Vent Rubber Flexible Circular Duct Connector is designed to provide a secure and flexible connection between different sized circular ducts within MVHR and mechanical ventilation systems. Available in 90mm to 80mm and 125mm to 90mm sizes, it allows ductwork transitions to be made easily where different duct diameters need to be connected.

Manufactured from durable rubber, the connector helps accommodate slight variations in duct size while supporting a tight and reliable seal. Each connector is supplied with 2 clips to securely fasten the connection during installation, helping to reduce air leakage and maintain consistent system performance. Its flexible design makes it suitable for a range of residential ventilation layouts where adaptable duct connections are required.

Dimensions



Related Products



QV75P-HP
Quiet-Vent 75mm x 50 Metre Antibacterial
Radial Pipe

PRODUCT DATASHEET

QVRC12590

Quiet-Vent Rubber 125mm to 90mm Flexible Circular Duct Connector



Technical Specification

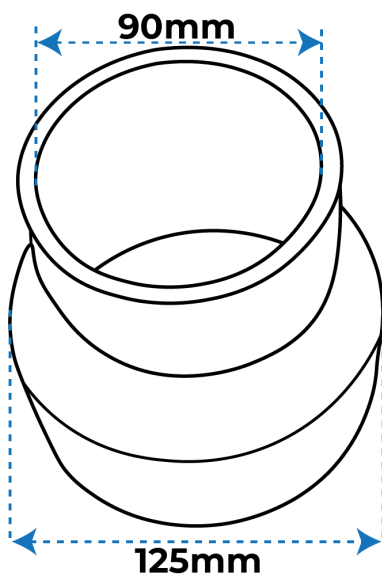
Manufacturer	Quiet-Vent
Part Number	QVRC12590
Type	Connector
Connection	125mm to 90mm
Application	Ducting Connector

Product Overview

The Quiet-Vent Rubber Flexible Circular Duct Connector is designed to provide a secure and flexible connection between different sized circular ducts within MVHR and mechanical ventilation systems. Available in 90mm to 80mm and 125mm to 90mm sizes, it allows ductwork transitions to be made easily where different duct diameters need to be connected.

Manufactured from durable rubber, the connector helps accommodate slight variations in duct size while supporting a tight and reliable seal. Each connector is supplied with 2 clips to securely fasten the connection during installation, helping to reduce air leakage and maintain consistent system performance. Its flexible design makes it suitable for a range of residential ventilation layouts where adaptable duct connections are required.

Dimensions



Related Products



QV90P-HP
Quiet-Vent 90mm x 50 Metre Antibacterial Radial Pipe